



Factory by H.I.M

PACKAGED WATER COOLED CHILLER UNIT



Model : WCC-CB Series
534,000 - 2,340,000 Btu/hr

GENERAL DATA

Model Number		WCC-CB-050	WCC-CB-060	WCC-CB-070	WCC-CB-080	WCC-CB-100	WCC-CB-120	WCC-CB-140	WCC-CB-160	WCC-CB-180	WCC-CB-210	WCC-CB-240
Nominal Cooling Capacity	Btu/hr	534,000	600,000	690,000	780,000	1,068,000	1,200,000	1,380,000	1,560,000	1,800,000	2,070,000	2,340,000
	kW	156.51	175.85	202.23	228.60	313.01	351.70	404.45	457.21	527.55	606.68	685.81
	kcal/hr	134,509	151,134	173,804	196,474	269,018	302,267	347,607	392,947	453,401	521,411	589,421
Compressor	Type	Semi-Hermetic										
Circuit	No.	2	2	2	2	2	2	2	2	2	2	2
Compressor	No.	2	2	1, 1	2	4	4	2, 2	4	6	3, 3	6
Power Supply	V / Ph / Hz	380-415 / 3 / 50										
Total Comp. Power	HP	25	30	30, 40	40	25	30	30, 40	40	30	30, 40	40
RLA (each)	A	36.2	40.6	40.6, 57.8	57.8	36.2	40.6	40.6, 57.8	57.8	40.6	40.6, 57.8	57.8
FLA (each)	A	55	62	62, 92	92	55	62	62, 92	92	62	62, 92	92
LRA (each)	A	200	214	214, 292	292	200	214	214, 292	292	214	214, 292	292
Condenser	Type	Shell and Tube										
Condenser	No.	2	2	2	2	2	2	2	2	2	2	2
Water Flow Rate	GPM	143	159	182	206	286	318	364	411	474	546	617
Pressure Drop	PSI	5.1	6.1	8.6	8.6	6.9	7.8	10.2	1.8	2.6	3.2	4.7
Connection IN/OUT	MPT.	2-1/2	2-1/2	3	3	4	4	4	4	4	5	5
Chiller	Type	Shell and Tube										
Chiller	No.	1	1	1	1	1	1	1	1	1	1	1
Water Flow Rate	GPM	110	122	140	158	220	244	280	316	364	420	474
Pressure Drop	PSI	2.2	2.5	3.1	3.5	3.5	3.8	3.7	4.1	3.9	4.4	5.6
Connection IN/OUT	MPT.	4	4	4	4	5	5	6	6	6	6	6
Refrigerant	Type	R - 22 Holding Charged										
Dimension	mm. (A)	2,320	2,820	2,830	2,830	3,500	3,500	3,500	3,500	5,172	5,172	5,172
	mm. (B)	700	700	700	700	1,100	1,100	1,100	1,100	1,100	1,100	1,100
	mm. (C)	1,500	1,500	1,600	1,600	2,020	2,020	2,020	2,020	2,100	2,100	2,100
Weight	kg.	1,200	1,300	1,500	1,600	2,300	2,600	2,800	3,000	3,500	3,800	4,200
Refrigeration Parts	Thermostatic Expansion Valve, Hot gas muffler, Liquid line solenoid valves, Sight glass and moisture indicator, Filter drier											
	Suction and liquid lines service valve, Shut off valve											
Electrical Parts	Compressor starter and overload relay, Time delay relay, High-low pressure switch											
	Electronic temperature controller, Electronic freeze-stat, Crankcase heater, Oil pressure switch											

Note:

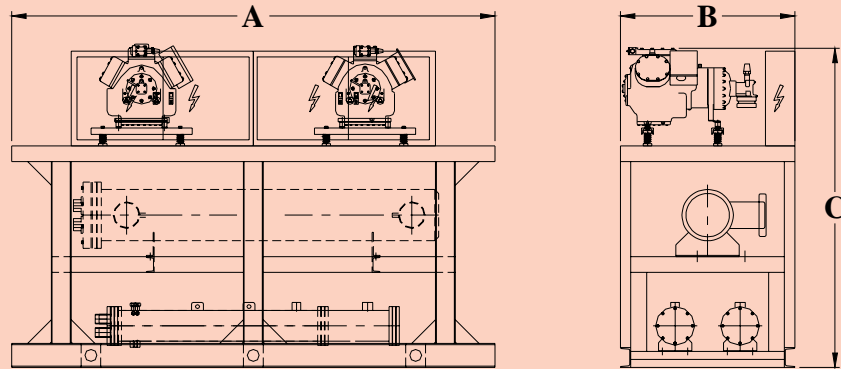
- Nominal capacity based on chilled water temp at 55°F/45°F (12.7°C/7.2°C) and water cooled condenser temp at 90°F/100°F (32.2°C/37.7°C)
- Specifications subject to change without notice



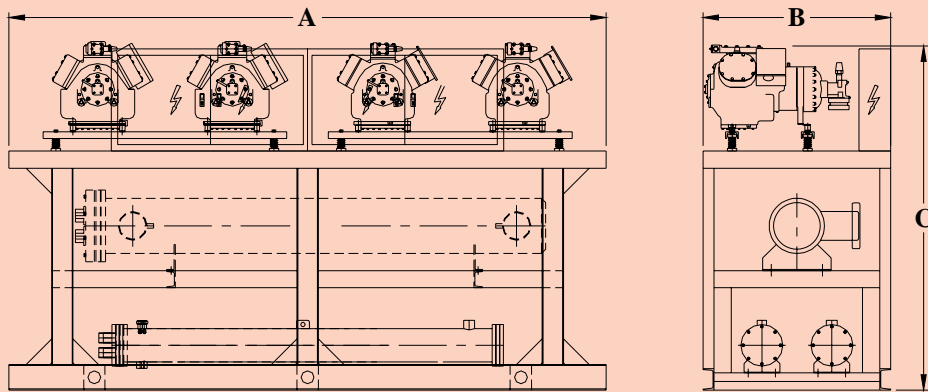
MAJOR AIR CONDITIONING CO., LTD

89 Moo 11, Soi Thanasit, Theparak Road, Bangpla, Bangplee, Samutprakarn 10540 Thailand
 Phone: 0-2185-7254-5 Fax: 0-2185-7256 E-mail: info@majorair.co.th Website: http://www.majorair.co.th

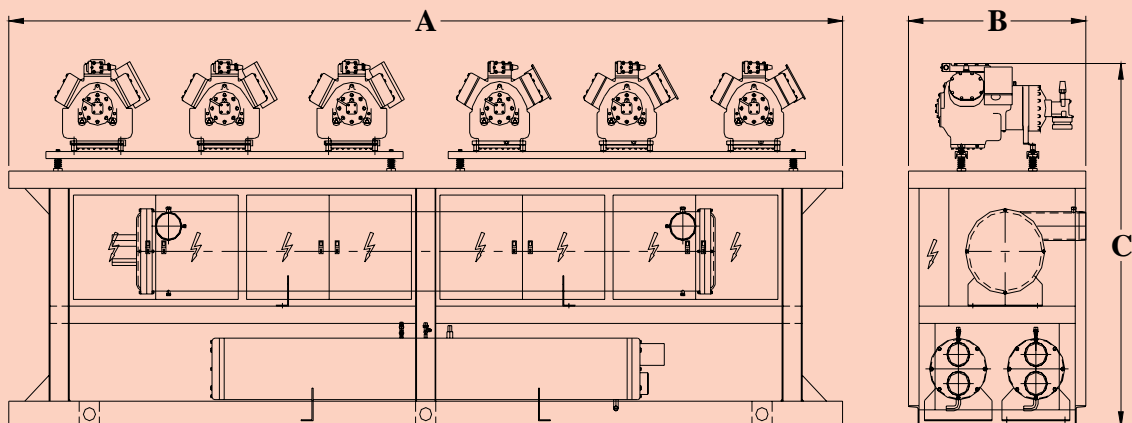
For model : WCC-CB-050 ~ WCC-CB-080



For model : WCC-CB-100 ~ WCC-CB-160



For model : WCC-CB-180 - WCC-CB-240



MAJOR AIR CONDITIONING CO., LTD

89 Moo 11, Soi Thanasit, Theparak Road, Bangpla, Bangplee, Samutprakarn 10540 Thailand
Phone: 0-2185-7254-5 Fax: 0-2185-7256 E-mail: info@majorair.co.th Website: <http://www.majorair.co.th>