



Factory by H.I.M

ENERGY SAVING HOT WATER HEAT PUMP



**“Energy Saving Hot Water
from Refrigeration System”**

Model : HPWD Series
Heating Capacity : 11 - 46 KW

เครื่องทำน้ำร้อน ‘เมเจอร์’ ได้ออกแบบด้วยเทคโนโลยีที่ดีที่สุด
เพื่อการประหยัดพลังงานและประหยัดค่าใช้จ่าย โดยใช้ระบบ Hot Water Heat Pump
เป็นแหล่งกำเนิดพลังงานที่จะผลิตน้ำร้อน โดยอาศัยสารตัวกลางทำหน้าที่ถ่ายเทพลังงานความร้อนให้กับน้ำ
และสามารถผลิตน้ำร้อนได้อุณหภูมิสูงถึง 70°C รวมทั้งสามารถประหยัดพลังงานได้ 3 เท่า
เมื่อเทียบกับระบบ Heater

General Feature and Benefits

- Save energy up to 70% used to source hot water.
- Free air cool at 22-24 °C
- High efficiency system and economy operation
- More hot water and lower energy costs
- Electrical required to make in work.
- Possible noise from the compressor

Typical Applications

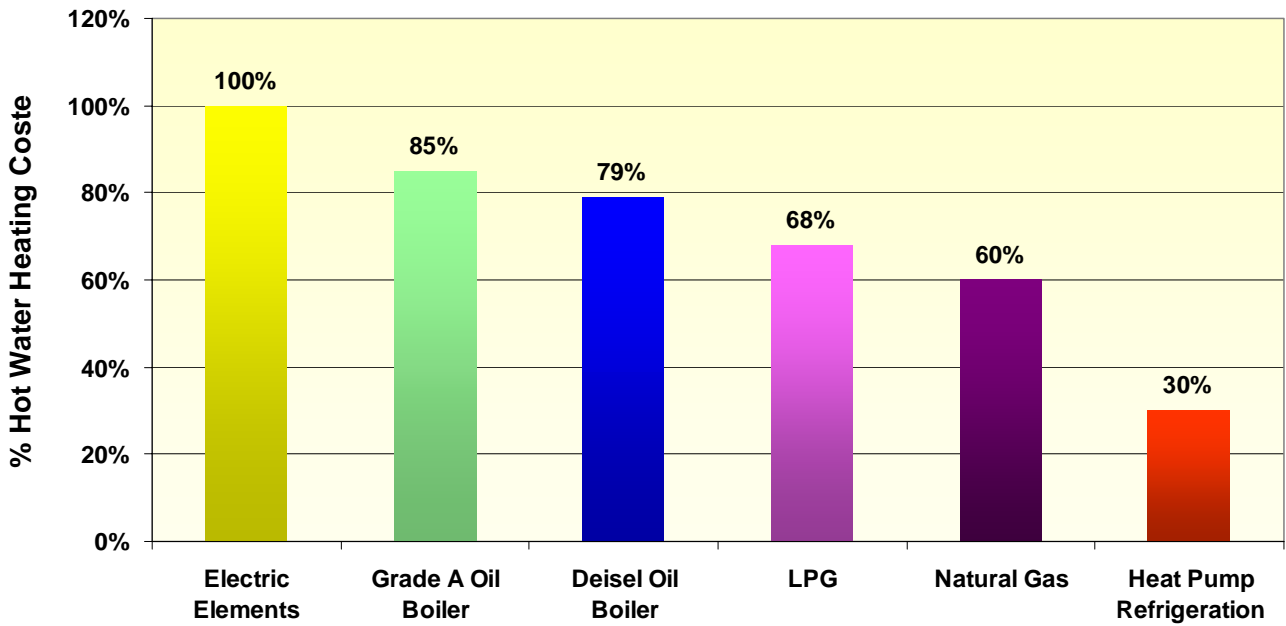
- Hotels
- Hospital
- Spa, Jaguzzis
- Restaurants
- Schools
- Resorts and Villas
- Apartments and Condominiums



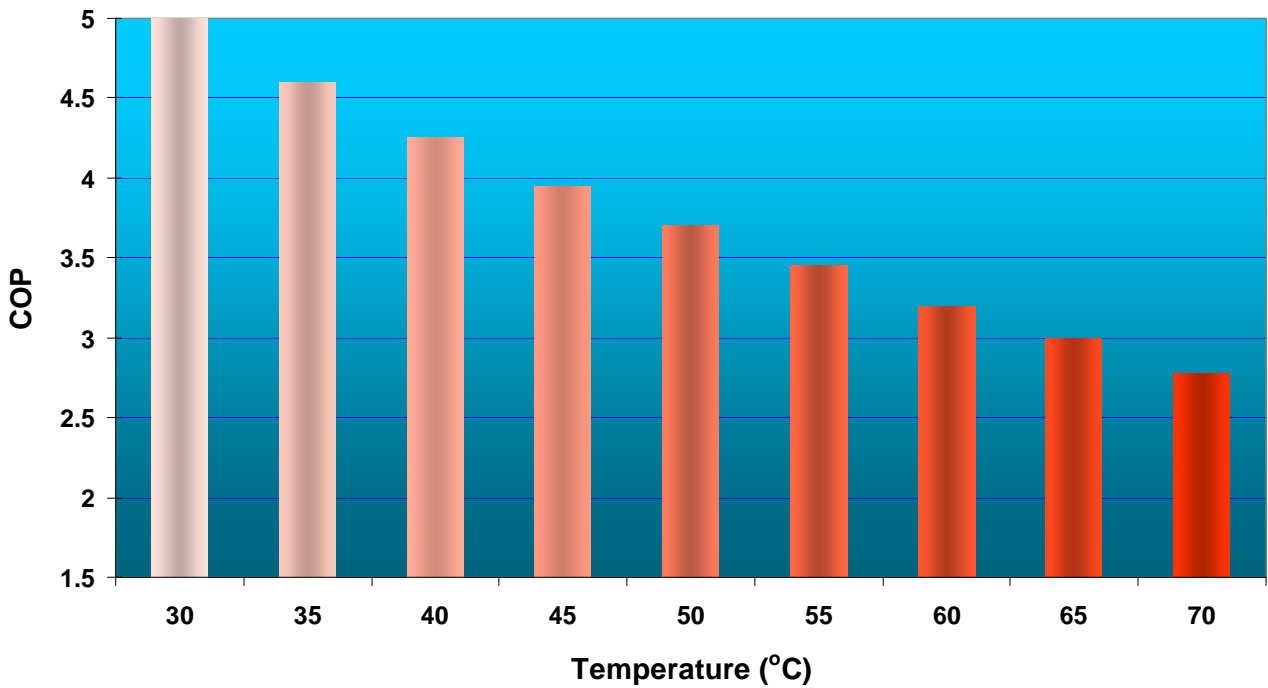
MAJOR AIR CONDITIONING CO., LTD

89 Moo 11, Soi Thanasit, Theparak Road, Bangpla, Bangplee, Samutprakarn 10540 Thailand
Tel: 0-2185-7254-5 Fax: 0-2185-7256 E-mail: info@majorair.co.th Website: <http://www.majorair.co.th>

Comparison of Hot Water Costs Using Different Energy Sources



Curve COP at Any Water Temperature (°C)



Factory by H.L.M

MAJOR AIR CONDITIONING CO., LTD

89 Moo 11, Soi Thanasit, Theparak Road, Bangpla, Bangplee, Samutprakarn 10540 Thailand
 Tel: 0-2185-7254-5 Fax: 0-2185-7256 E-mail: info@majorair.co.th Website: <http://www.majorair.co.th>

GENERAL DATA

Model Number		HPWD-300	HPWD-450	HPWD-600	HPWD-900	HPWD-1200
Heating Capacity	Btu/hr	41,000	58,004	78,476	116,008	156,952
	kW	12.00	17.00	23.00	34.00	46.00
	kcal/hr	10,325	14,611	19,767	29,221	39,535
Maximum Water Temperature	°C	70				
Power Consumption	kW	3.6	4.9	7.1	9.8	14.2
Recovery Rate @ 30°C Rise	LPH	300	500	700	1,000	1,400
Compressor	Type	Scroll				
Circuit	No.	1	1	1	2	2
Compressor	No.	1	1	1	2	2
Power Supply	V / Ph / Hz	380-415 / 3 / 50				
Total Comp. Power	HP	3.4	4.9	7.1	9.8 x 2	14.2 x 2
RLA	A	4.8	6.8	11.1	6.8 x 2	11.1 x 2
FLA	A	7.9	10.0	17.3	10 x 2	17.3 x 2
LRA	A	50	74	111	74 x 2	111 x 2
Heat Recovery	Type	Plate Heat Exchanger SMO 254 High Corrosion Resistant				
Evaporator Coil	Type	Aluminium Corrugate Coated Fin Inner Grooved Copper Tube				
Evaporator Coil	Nos.	1	1	1	2	2
Total Face Area	ft ²	3.4	5.5	6.8	11	13.6
Rows	rows	3	3	3	3	3
Tube Size	In.	3/8	3/8	3/8	3/8	3/8
Fan	Type	Centrifugal Double Inlet Forward Curved and Direct Drive				
Fan	Nos.	1	1	1	1	2
Air Flow Rate	CFM.	1,200	1,600	2,000	3,200	4,000
Condenser Motor HP (each)	HP	1/2	3/4	1	3/4 x 2	1 x 2
Condenser Motor	Nos.	1	1	1	1	2
Power Supply	V / Ph / Hz	380-415 / 3 / 50				
FLA (each)	A	1.2	1.7	2.4	3.4	2.4 x 2
Refrigerant	Type	R - 134a				
Maximum Pressure	psig	350				
Casing Cabinet	Type	Stainless Steel (AISI 304)				
Water Connection	Type	Plain End Tube				
Water Inlet / Outlet	In.	3/4	3/4	1	1 1/4	1 1/2
Water Condensate	In.	3/4				
Dimension	(W) mm.	1,200	1,200	1,400	1,200	1,400
	(D) mm.	790	790	915	1,600	1,840
	(H) mm.	1,000	1,200	1,200	1,420	1,700
Weight	kgs.	140	185	240	380	480
Refrigeration Parts	Expansion Valve, Liquid line solenoid valves, Sight glass and moisture indicator, Filter drier, Accumulator, Liquid receiver					
Electrical Parts	Compressor starter and overload relay, Time delay relay, High-Low pressure, Electronic Controller					

Note:

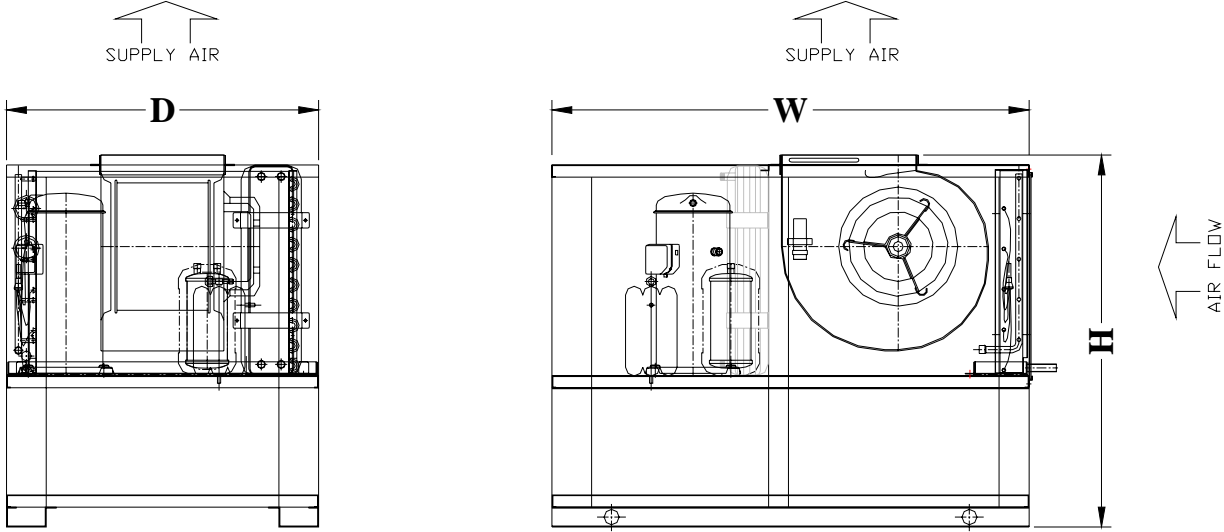
- Nominal capacity based on hot water temperature at 70°C and 35°C ambient temperature
- Specifications subject to change without notice



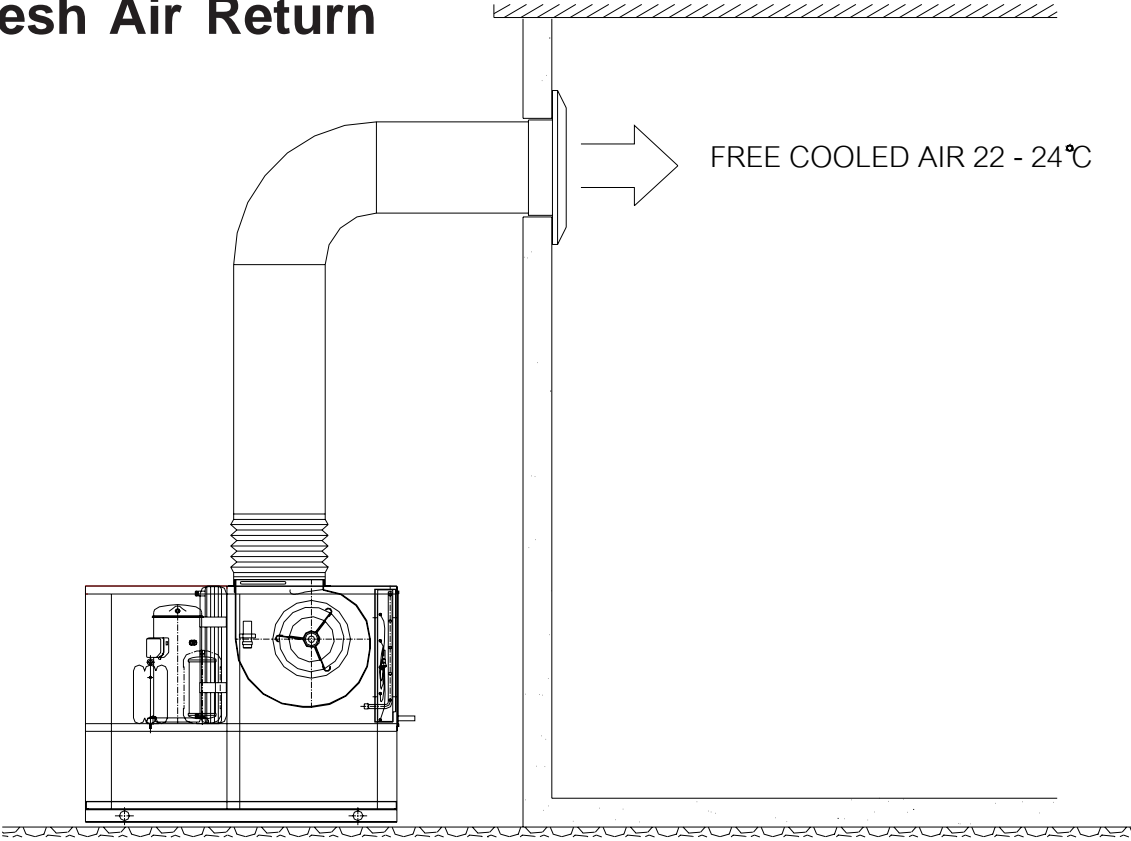
MAJOR AIR CONDITIONING CO., LTD

89 Moo 11, Soi Thanasit, Theparak Road, Bangpla, Bangplee, Samutprakarn 10540 Thailand
 Tel: 0-2185-7254-5 Fax: 0-2185-7256 E-mail: info@majorair.co.th Website: http://www.majorair.co.th

Dimension



Fresh Air Return



Factory by H.L.M

MAJOR AIR CONDITIONING CO., LTD

89 Moo 11, Soi Thanasit, Theparak Road, Bangpla, Bangplee, Samutprakarn 10540 Thailand
Tel: 0-2185-7254-5 Fax: 0-2185-7256 E-mail: info@majorair.co.th Website: http://www.majorair.co.th