



Factory by H.I.M

AIR HANDLING UNIT



Model : AHW Series (Water Coil Type)
Capacity : 90,000 - 820,000 Btu/hr

GENERAL DATA

Model Number		AHW-03V/H	AHW-04V/H	AHW-05V/H	AHW-06V/H	AHW-08V/H	AHW-10V/H	AHW-12V/H	AHW-16V/H	AHW-20V/H	AHW-26V/H
Nominal Capacity	Btu/hr	90,000	130,000	160,000	200,000	260,000	300,000	400,000	560,000	620,000	820,000
	kW	26.38	38.10	46.89	58.62	76.20	87.92	117.23	164.13	181.71	240.33
	kcal/hr	22,670	32,746	40,302	50,378	65,491	75,567	100,756	141,058	156,171	206,549
Evaporator	Type	Aluminium Corrugate Fin Type & Copper Tube									
Evaporator	No.	1	1	1	1	1	1	1	1	1	1
Coil Face Area	sq.ft	6.11	8.25	10.33	12.50	16.28	20.09	24.72	33.99	40.49	53.44
Fin Density	fin / in	12									
Row	rows	4									
Tube Size	in	1/2	1/2	1/2	1/2	1/2	1/2	1/2	1/2	1/2	1/2
Blower	Type	Centrifugal Double Inlet Forward Curved - Belt Drive									
Blower	No.	1	1	1	1	1	1	1	2	2	2
Blower Size	in	12 x 12	15 x 15	15 x 15	18 x 18	18 x 18	20 x 20	20 x 20	18 x 18	20 x 20	22 x 22
Volume Flow Rate	CFM	2,900	4,000	5,000	6,400	8,200	10,000	12,000	16,000	20,000	26,000
Motor	HP.	1	2	2	3	5	7.5	10	10	15	20
Motor	No.	1	1	1	1	1	1	1	1	1	1
Power Supply	V / Ph / Hz	380 - 415 / 3 / 50									
Speed	RPM	1,450									
RLA	A	2.13	3.82	3.82	5.18	8.03	12	15.2	15.2	21.6	28.3
Water Flow Rate	GPM	18	26	32	40	56	60	80	112	124	164
	L/min	67.1	97.0	119.4	149.2	208.9	223.8	298.4	417.8	462.5	611.7
Pressure Drop	Ft WG	10.5	12.7	9.8	11.83	9.12	10.3	8.8	13.2	12.2	11.6
	kPa	31.4	38.0	29.3	35.4	27.3	30.8	26.3	39.5	36.5	34.7
Piping Connection	Type	Male Pipe Thread									
Water in	in	1 1/2	1 1/2	2	2 1/2	2 1/2	2 1/2	3	2 1/2	3 x 2	3 x 2
Water Out	in	1 1/2	1 1/2	2	2 1/2	2 1/2	2 1/2	3	2 1/2	3 x 2	3 x 2
Drain	in	1 1/4									
Air Filter	Type	Washable Aluminium									
Air Filter Thickness	in	2									
Dimension	mm. (A)	1,245	1,831	1,831	2,288	2,288	2,542	2,542	2,288	2,542	2,542
	mm. (B)	712	767	767	894	894	1,148	1,148	894	1,148	1,148
	mm. (C)	1,376	1,486	1,486	1,740	1,740	2,248	2,248	1,740	2,248	2,248
Duct Connection Size	in. (D)	14	19	19	22	22	25	25	22	25	27.88
	in. (E)	14	16	16	19	19	25	25	19	25	27.88
Weight	kg.	130	178	200	260	290	385	425	290	385	425

Note :

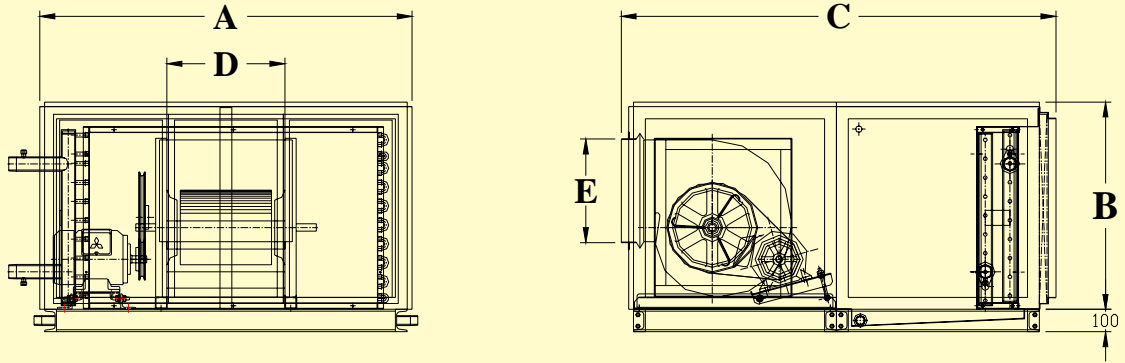
- Nominal capacity based on entering air temperature at 27°C DB/19°C WB(80°F DB/67°F WB) and chilled water temperature at inlet 12°C/outlet 7°C(55°F/45°F)
- All units supply with motor and pulleys
- Specifications subject to change without notice



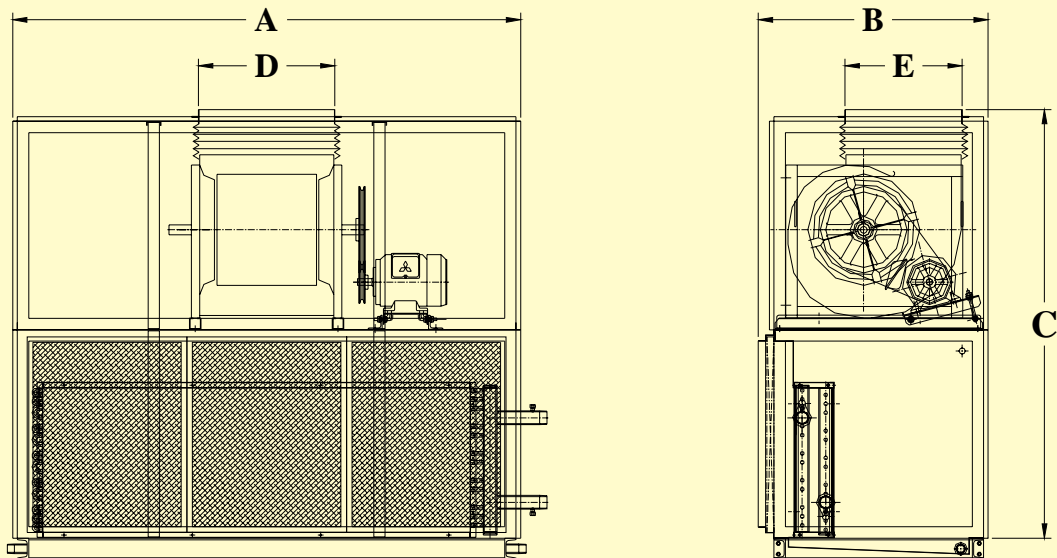
MAJOR AIR CONDITIONING CO., LTD

89 Moo 11, Soi Thanasit, Theparak Road, Bangpla, Bangplee, Samutprakarn 10540 Thailand
 Tel: 0-2185-7254-5 Fax: 0-2185-7256 E-mail: info@majorair.co.th Website: http://www.majorair.co.th

For model : AHW-03H ~ AHW-26H



For model : AHW-03V ~ AHW-26V



MAJOR AIR CONDITIONING CO., LTD

89 Moo 11, Soi Thanasit, Theparak Road, Bangpla, Bangplee, Samutprakarn 10540 Thailand
Tel: 0-2185-7254-5 Fax: 0-2185-7256 E-mail: info@majorair.co.th Website: <http://www.majorair.co.th>