



Factory by H.I.M

AIR HANDLING UNIT



Model : AHD Series (DX. Coil Type)
Capacity : 95,500 - 840,000 Btu/hr

GENERAL DATA

Model Number		AHD-03V/H	AHD-04V/H	AHD-05V/H	AHD-06V/H	AHD-08V/H	AHD-10V/H	AHD-12V/H	AHD-16V/H	AHD-20V/H	AHD-26V/H
Nominal Capacity	Btu/hr	95,500	128,000	166,000	216,000	288,000	320,000	420,000	576,000	640,000	840,000
	kW	27.99	37.51	48.65	63.31	84.41	93.79	123.09	168.82	187.57	246.19
	kcal/hr	24,055	32,242	41,814	54,408	72,544	80,605	105,793	145,088	161,209	211,587
Evaporator	Type	Aluminium Corrugate Fin Type & Copper Tube									
Evaporator	No.	1	1	1	1	1	1	1	1	1	1
Coil Face Area	sq.ft	6.11	8.25	10.33	12.50	16.28	20.09	24.72	33.99	40.49	53.44
Fin Density	fin / in	14	14	14	14	14	14	14	14	14	14
Row	rows	3	3	3	3	4	4	4	4	4	4
Tube Size	in	3/8	3/8	3/8	3/8	3/8	3/8	3/8	1/2	1/2	1/2
Blower	Type	Centrifugal Double Inlet Forward Curved - Belt Drive									
Blower	No.	1	1	1	1	1	1	1	2	2	2
Blower Size	in	12 x 12	15 x 15	15 x 15	18 x 18	18 x 18	20 x 20	20 x 20	18 x 18	20 x 20	22 x 22
Volume Flow Rate	CFM	2,900	4,000	5,000	6,400	8,200	10,000	12,000	16,000	20,000	26,000
Motor	HP.	1	2	2	3	5	7.5	10	10	15	20
Motor	No.	1	1	1	1	1	1	1	1	1	1
Power Supply	V / Ph / Hz	380 - 415 / 3 / 50									
Speed	RPM	1,450									
RLA	A	2.13	3.82	3.82	5.18	8.03	12.0	15.2	15.2	21.6	28.3
Refrigerant	Type	R - 22 Holding Charged									
Piping Connection	Type	Brazed									
Suction	in	1 1/8	1 3/8	1 3/8	1 5/8	1 5/8	2 1/8	2 1/8	1 5/8 x 2	2 1/8 x 2	2 1/8 x 2
Liquid	in	5/8	5/8	5/8	7/8	7/8	7/8	7/8	7/8 x 2	7/8 x 2	7/8 x 2
Drain	in	1 1/4									
Air Filter	Type	Washable Aluminium									
Air Filter Thickness	in	2									
Dimension	mm. (A)	1,245	1,831	1,831	2,288	2,288	2,542	2,542	2,288	2,542	2,542
	mm. (B)	712	767	767	894	894	1,148	1,148	894	1,148	1,148
	mm. (C)	1,376	1,486	1,486	1,740	1,740	2,248	2,248	1,740	2,248	2,248
Duct Connection Size	in. (D)	14	19	19	22	22	25	25	22	25	27.88
	in. (E)	14	16	16	19	19	25	25	19	25	27.88
Weight	kg.	130	178	200	260	290	385	425	290	385	425

Note :

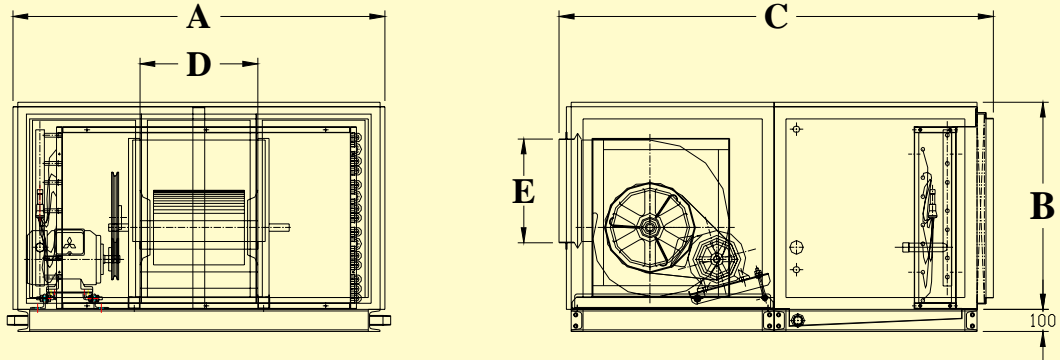
- Nominal capacity based on entering air temp. at 27°C DB/19°C WB(80°F DB/67°F WB) and 35°C(95°F) ambient temp.
- Refrigerant control by thermostatic expansion valve
- All units supply with motor and pulley
- Specifications subject to change without notice



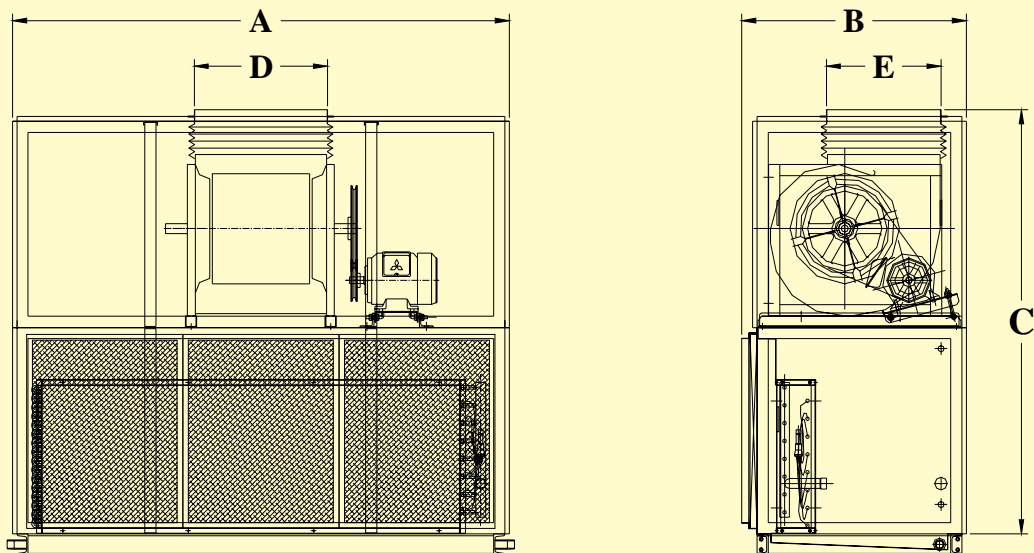
MAJOR AIR CONDITIONING CO., LTD

89 Moo 11, Soi Thanasit, Theparak Road, Bangpla, Bangplee, Samutprakarn 10540 Thailand
 Tel: 0-2185-7254-5 Fax: 0-2185-7256 E-mail: info@majorair.co.th Website: http://www.majorair.co.th

For model : AHD-03H ~ AHD-26H



For model : AHD-03V ~ AHD-26V



MAJOR AIR CONDITIONING CO., LTD

89 Moo 11, Soi Thanasit, Theparak Road, Bangpla, Bangplee, Samutprakarn 10540 Thailand
Tel: 0-2185-7254-5 Fax: 0-2185-7256 E-mail: info@majorair.co.th Website: <http://www.majorair.co.th>