



Factory by H.I.M

PACKAGED AIR COOLED CHILLER UNIT



Model : ACC-CB Series
73,500 - 360,000 Btu/hr

GENERAL DATA

Model Number		ACC-CB-007	ACC-CB-009	ACC-CB-010	ACC-CB-012	ACC-CB-015	ACC-CB-020	ACC-CB-025	ACC-CB-030	ACC-CB-040	
Nominal Cooling Capacity	Btu/hr	73,500	83,500	97,500	112,000	145,000	185,000	243,000	272,000	360,000	
	kW	21.54	24.47	28.58	32.83	42.50	54.22	71.22	79.72	105.51	
	kcal/hr	18,514	21,033	24,559	28,212	36,524	46,599	61,209	68,514	90,680	
Compressor	Type	Scroll					Semi-Hermetic				
Circuit	No.	1	1	1	1	1	1	1	1	1	
Compressor	No.	1	1	1	1	1	1	1	1	1	
Power Supply	V / Ph / Hz	380-415 / 3 / 50									
Total Comp. Power	HP	6.8	8.5	10.0	12.0	15.0	20.0	25.0	30.0	40.0	
RLA (each)	A	11.3	12.4	14.4	15.8	21.7	28.0	38.0	43.0	61.0	
FLA (each)	A	16.4	17.3	19.2	19.6	26.4	42.0	55.0	62.0	92.0	
LRA (each)	A	72	77	80	126	115	146	200	214	292	
Condenser Coil	Type	Aluminium Corrugate Fin Inner Grooved Copper Tube									
Condenser Coil	Nos.	1	1	1	1	2	2	2	4	4	
Total Face Area	ft ²	16.6	16.6	24	24	33.2	46.6	46.6	66.4	93.2	
Rows	rows	2	2	2	2	2	2	3	2	2	
Tube Size	In.	3/8	3/8	3/8	3/8	3/8	3/8	3/8	3/8	3/8	
Condenser Fan	Type	Propeller Fan Vertical Discharge Direct Drive									
Condenser Fan	Nos.	1	1	1	1	2	2	2	4	4	
Air Flow Rate	CFM	7,000	7,000	10,000	10,000	14,000	14,000	20,000	28,000	28,000	
Condenser Motor HP (each)	HP	1/2	1/2	1	1	1/2	1/2	1	1/2	1/2	
Condenser Motor	Nos.	1	1	1	1	2	2	2	4	4	
Power Supply	V / Ph / Hz	380-415 / 3 / 50									
FLA (each)	A	1.34	1.34	2.23	2.23	1.34	1.34	2.23	1.34	1.34	
Chiller	Type	Shell and Tube									
Chiller	No.	1	1	1	1	1	1	1	1	1	
Water Flow Rate	GPM.	12.9	14.8	19.3	21.9	27.4	37.0	48.8	55.4	73.4	
Pressure Drop	PSI	0.65	0.78	0.87	0.96	1.17	1.57	1.91	2.09	1.65	
Connection IN/OUT	MPT.	1-1/2	1-1/2	1-1/2	1-1/2	2	2	2	2-1/2	2-1/2	
Refrigerant	Type	R - 22 Holding Charged									
Dimension	mm (A)	1,200	1,200	1,400	1,400	2,025	2,325	2,325	2,025	2,325	
	mm (B)	790	790	915	915	950	1,050	1,050	1,825	2,145	
	mm (C)	1,315	1,315	1,420	1,420	1,700	2,000	2,000	1,700	2,000	
Weight	kgs.	380	445	550	610	660	820	910	1,250	1,380	
Refrigeration Parts	Thermostatic Expansion Valve, Liquid line solenoid valves, Sight glass and moisture indicator, Filter drier										
	Liquid lines service valve					Suction and liquid lines service valve, Shut off valve					
	-					Hot gas muffler					
Electrical Parts	Compressor starter and overload relay, Fan motor starter and overload relay, Time delay relay, High-low pressure switch										
	Electronic temperature controller, Electronic freeze stat										
	-					Crankcase heater, Oil pressure switch					

Note :

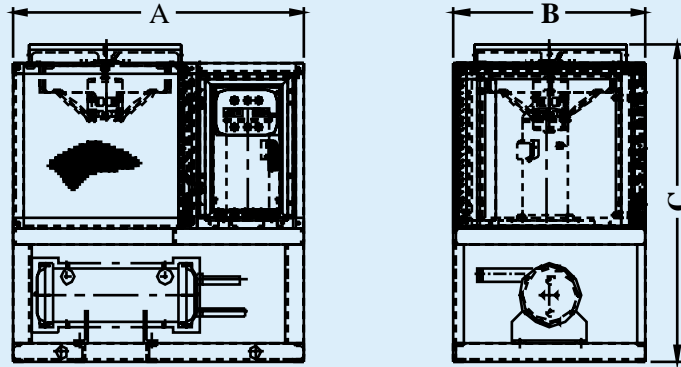
- Nominal capacity based on chilled water temperature inlet/outlet at 55°F/45°F(12.7°C/7.2°C) and 95°F(35°C) ambient temperature
- Specifications subject to change without notice



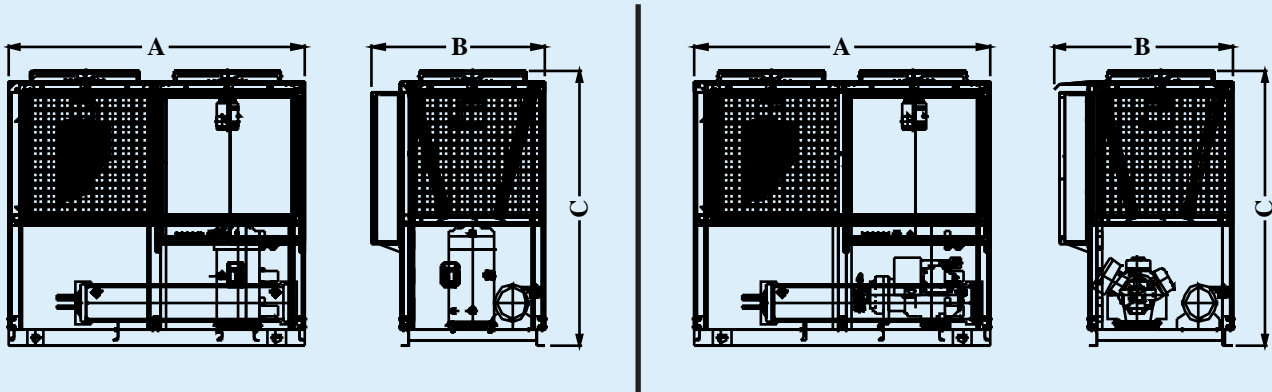
MAJOR AIR CONDITIONING CO., LTD

89 Moo 11, Soi Thanasit, Theparak Road, Bangpla, Bangplee, Samutprakarn 10540 Thailand
 Tel: 0-2185-7254-5 Fax: 0-2185-7256 E-mail: info@majorair.co.th Website: http://www.majorair.co.th

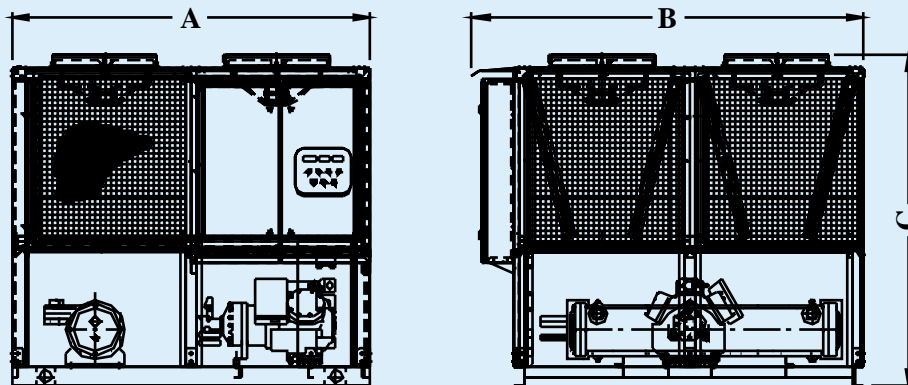
For model : ACC-CB-007 ~ ACC-CB-012



For model : ACC-CB-15 ~ ACC-CB-25



For model : ACC-CB-30 - ACC-CB-40



MAJOR AIR CONDITIONING CO., LTD

89 Moo 11, Soi Thanasit, Theparak Road, Bangpla, Bangplee, Samutprakarn 10540 Thailand
Tel: 0-2185-7254-5 Fax: 0-2185-7256 E-mail: info@majorair.co.th Website: <http://www.majorair.co.th>